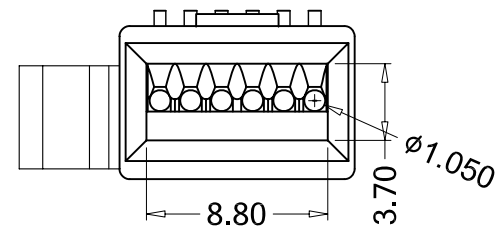
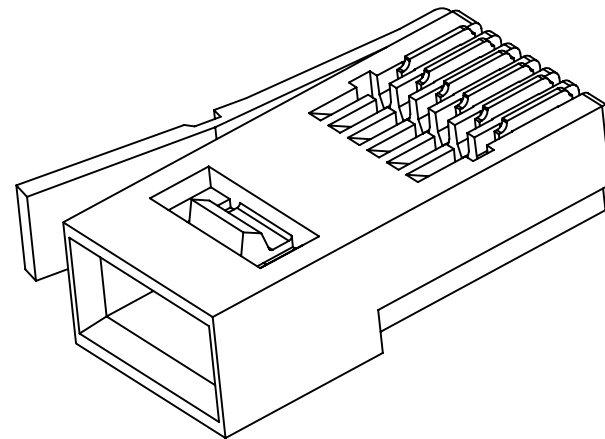
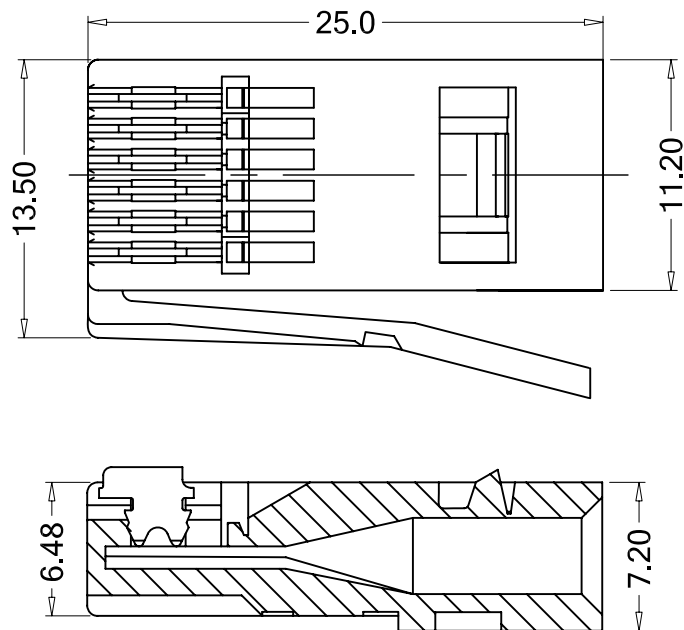


成品圖



Electrical:

1. Voltage rating : 125 VAC RMS .
2. Current rating : 1.5 AMP .
3. Contact resistance : 50 milliohms max.
4. Insulation resistance : 1000 megohms min @ 500 VDC.
5. Dielectric strength : 1000 VAC RMS 50Hz, 1MIN.

Material & finish:

Housing: PC. UL94V-2, clean
 Contact : copper alloy plated with gold

Operating temperature:

1.-40 °C to +80 °C

未注公差 (mm)		Coorle Technology		TITEL	UK PLUG		
X	±0.30	TEL: 0769-81585156 FAX: 0769-81605156		品名			
.X	±0.20			PART NO.			
.XX	±0.15	核 准	審 查	設 計	WU	DATE	2011/03/10
.XXX	±0.05					SCALE	REV
X°	±2.0					1:1	B.0